

Tolerance : Product dimension		
length	<1000mm	-0/+3mm
	>1000mm	-0/+4mm
width	<500mm	-0/+2mm
	>500mm	-0/+3mm
height	<500mm	-1/+1mm
	>500mm	-2/+2mm
Tolerance : straight surface		
down basin		-2/+2mm
up basin		-2/+2mm
length	<500mm	-2/+2mm
	500-1000mm	-3/+3mm
	>1000mm	-5/+5mm
width	<500mm	-2/+2mm
	>500mm	-2/+2mm
straight wall		-2/+2mm
overflow / tap	left / right	-2/+2mm
	up / down	-3/+3mm
	diam	-0/+2mm

NAME	DATE	TITLE:
M.Gala		
CHK'D		
APPV'D		
MATERIAL:		
WEIGHT:		

DWG NO.	comp: marmorin	A4
SCALE:1:10	SHEET 1 OF 1	

1

2

3

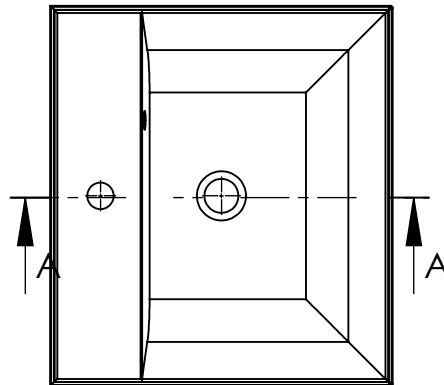
4

5

6

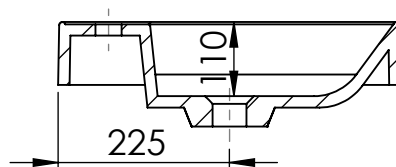
A

A



B

B



C

C

D

Tolerance : Product dimension				NAME	DATE	TITLE:	
length	<1000mm	-0/+3mm		DRAWN	M.Gala		
	>1000mm	-0/+4mm					
width	<500mm	-0/+2mm		CHK'D			
	>500mm	-0/+3mm					
height	<500mm	-1/+1mm		APPV'D			
	>500mm	-2/+2mm					
Tolerance : straight surface							
down basin		-2/+2mm					
up basin							
length	<500mm	-2/+2mm		MATERIAL:		DWG NO.	comp: marmorin
	500-1000mm	-3/+3mm					
	>1000mm	-5/+5mm					
width	<500mm	-2/+2mm					A4
	>500mm	-2/+2mm					
straight wall		-2/+2mm					
overflow / tap	left / right	-2/+2mm		WEIGHT:		SCALE:1:10	SHEET 1 OF 1
	up / down	-3/+3mm					
	diam	-0/+2mm					

1

2

WEIGHT:

SCALE:1:10

SHEET 1 OF 1